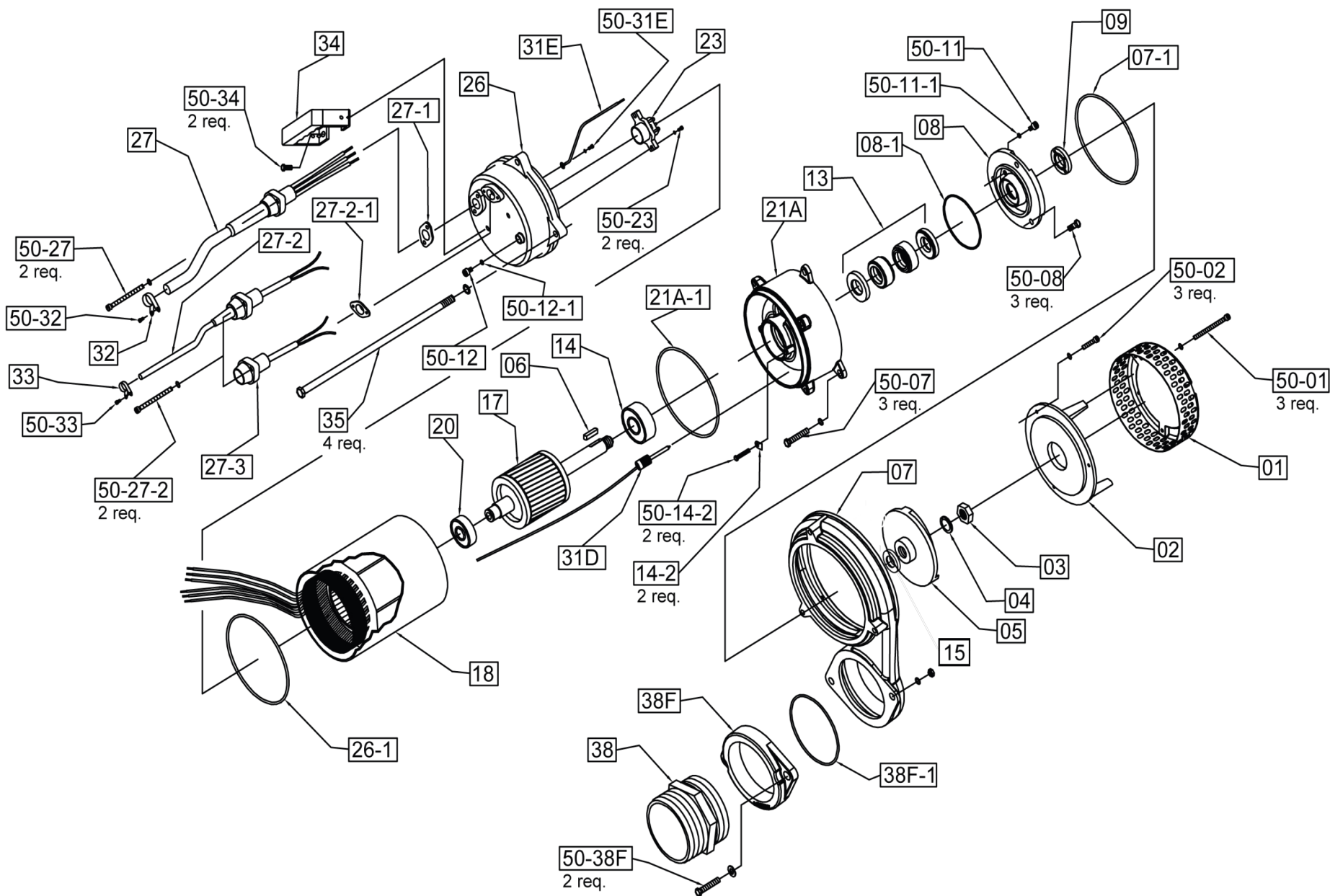


NOTE: Seal Minder (Pos#27-2, 33, 50-33) is an optional component. JX-Series pumps come with Seal Minder Cap only (Pos#27-3)

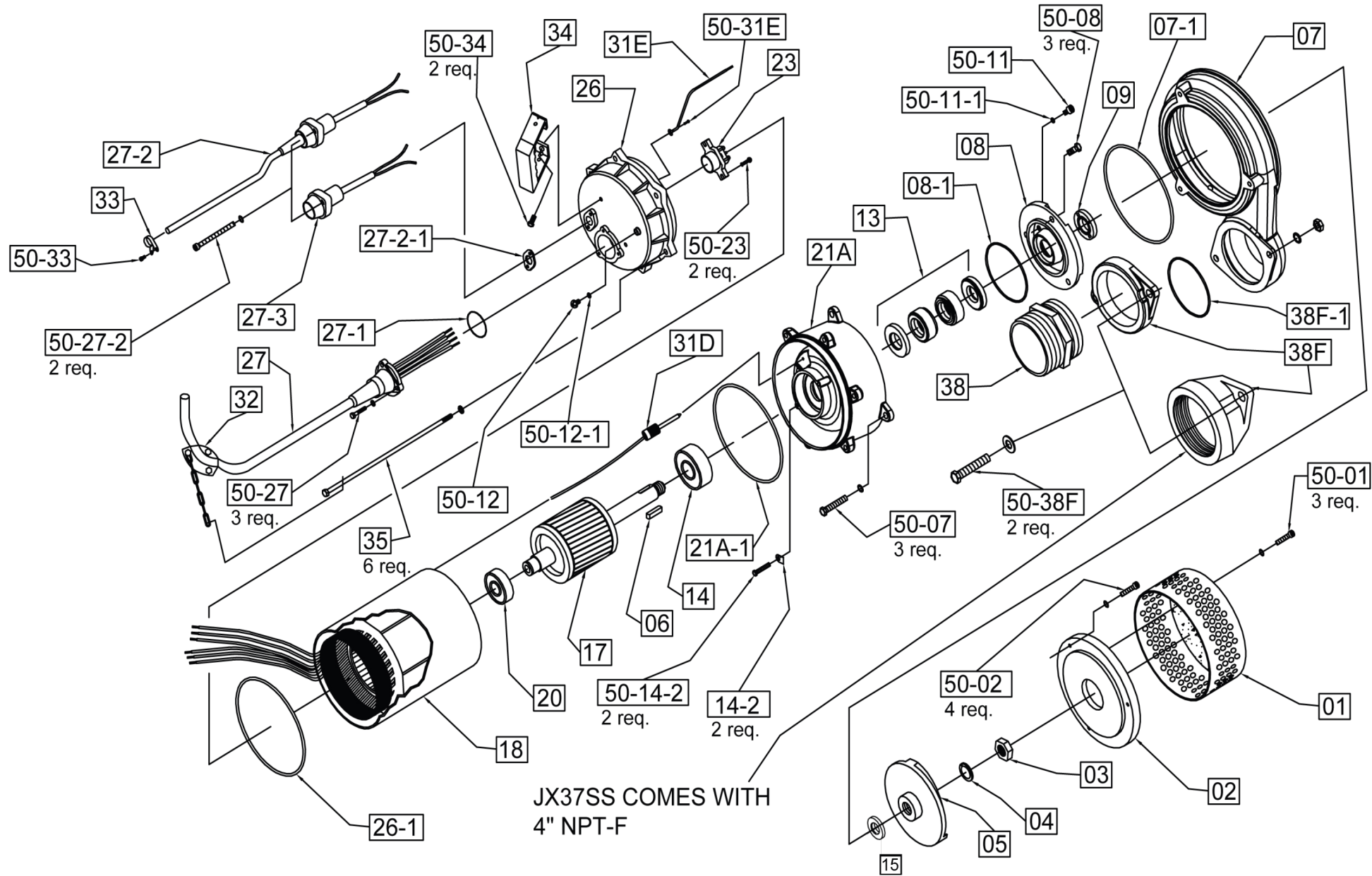




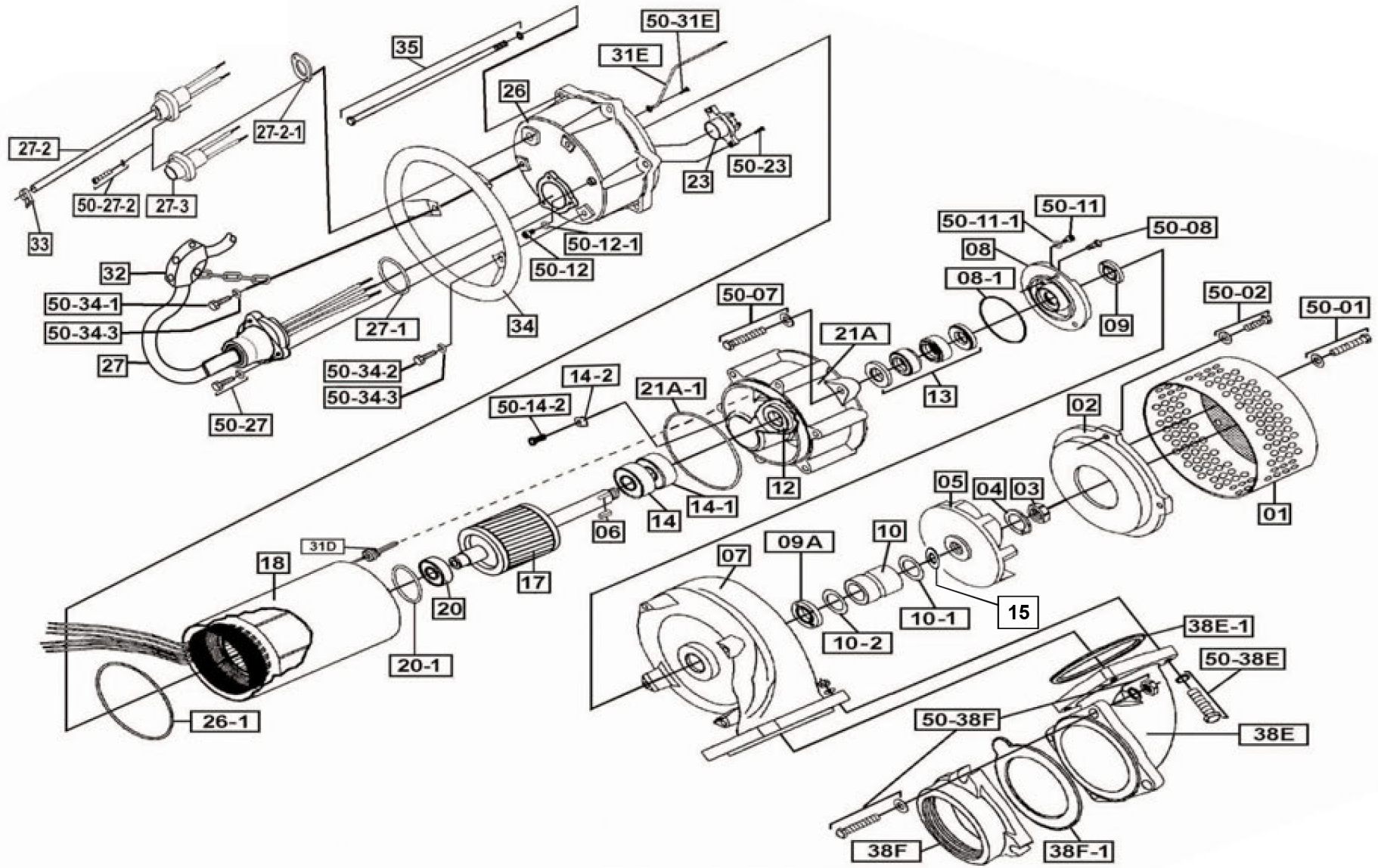
# JX22SS, JX22HSS, JX37SS, JX37HSS

## (PRECISION CAST MODELS)

NOTE: Seal Minder (Pos#27-2, 33, 50-33) is an optional component. JX-Series pumps come with Seal Minder Cap only (Pos#27-3)

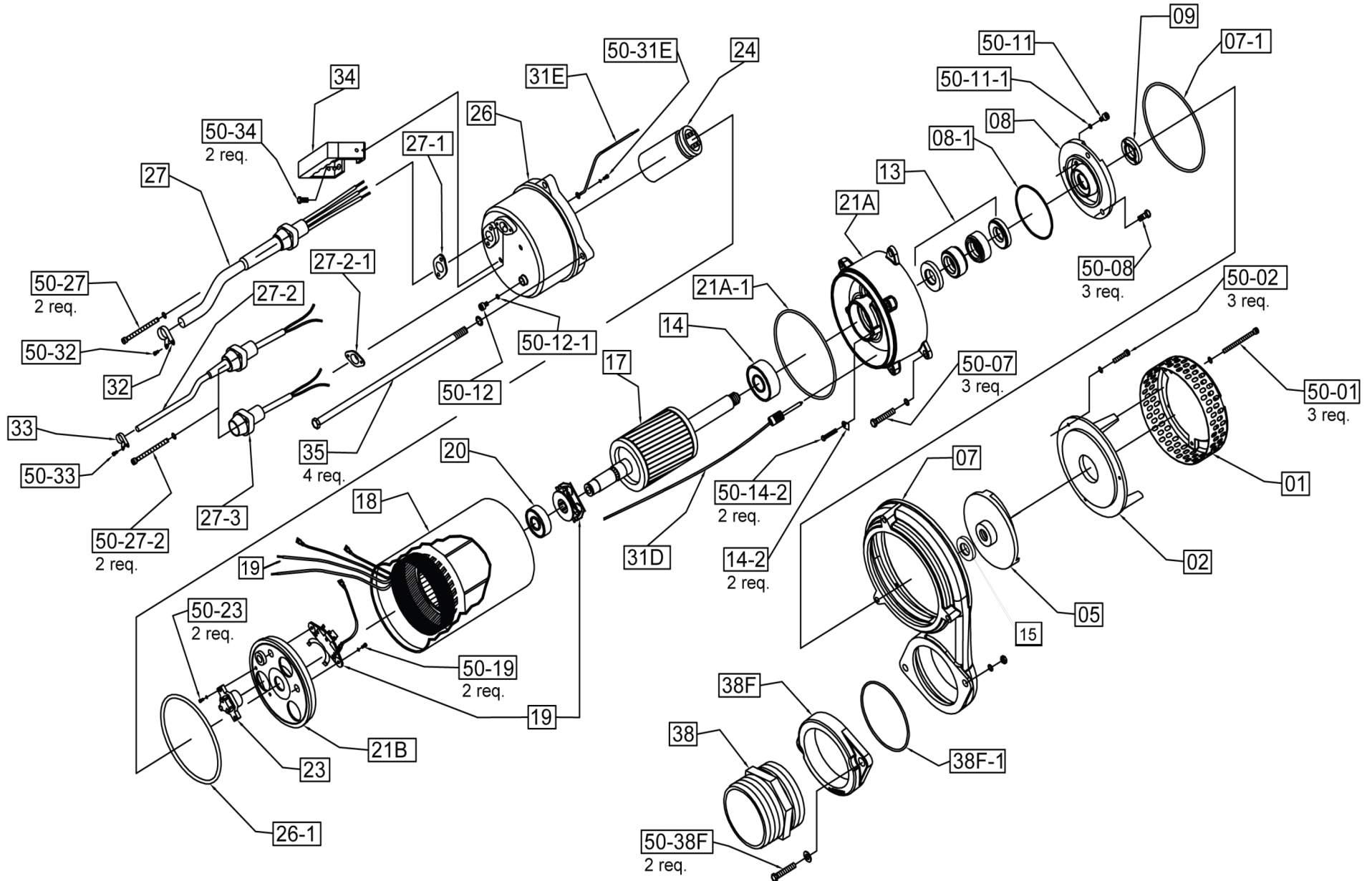


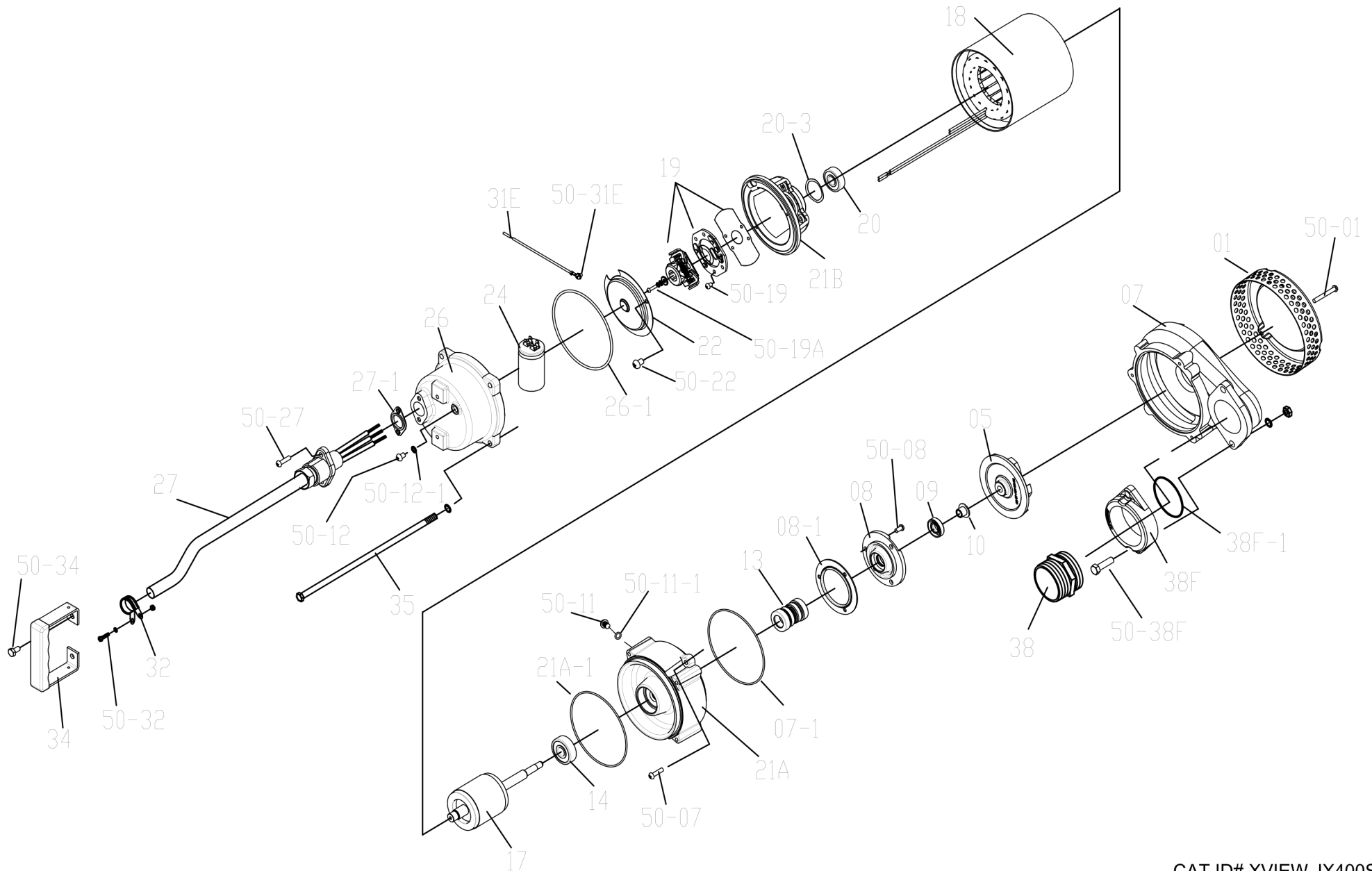
JX37SS COMES WITH  
4" NPT-F



NOTE: Seal Minder (Pos# 27-2, 33, 50-33) is an optional component.  
JX Series pumps come with Seal Minder cap only (Pos# 27-3)..

NOTE: Seal Minder (Pos#27-2, 33, 50-33) is an optional component. JX-Series pumps come with Seal Minder Cap only (Pos#27-3)





CAT ID# XVIEW JX400SS